

## HS-21




## 二维手持成像仪

HS-21 二维手持成像仪提供了快速解码率和大范围读取能力，并具有轻便耐用的包装。其双视场光学元件可以解码大多数任意距离、任意方向的一维和二维符号。

HS-21 将小巧的外形以及坚固耐用的特性和高性能结合到了一起。它可以承受6英尺（1.8米）处的多次掉落，十分适合从无尘室到车间的多种应用。

### HS-21: 简介

- 读取大多数一维和二维符号
- 双视场镜头同时适用于高密度和宽视场
- USB 2.0或RS-232通信组件
- 低功耗
- 可选支架和运动检测模式，解放双手

 ESP® 简易设置程序：单点软件解决方案为所有 Microscan 阅读器提供迅速、简便的设置和配置。

 可见指标：“正常读取”绿色LED性能指示灯。

有关本产品的详细信息，请访问 [www.microscan.com](http://www.microscan.com)。

### 高性能

HS-21 具有计算能力和先进的图像处理能力，可以解码具有挑战性的一维和二维符号。

### 扫描宽度大

凭借4英寸（102 mm）的对焦距离和大范围的扫描宽度，HS-21 十分适合解码实验室采样管和试剂管上的符号。

### 易于清洁

读取器的敏感组件受到IP54外壳的保护，可以由常见的医院消毒剂轻松地进行清洗。

### 简单易用的设计

外壳经过人体工程学设计，用户在重复和高负荷应用中也能感到舒适。除了蜂鸣器之外，视觉和振动指标也可以在嘈杂和敏感环境中对成功读取进行静默确认。

### 简单配置

可以使用Microscan的ESP软件轻松设置和配置HS-21。

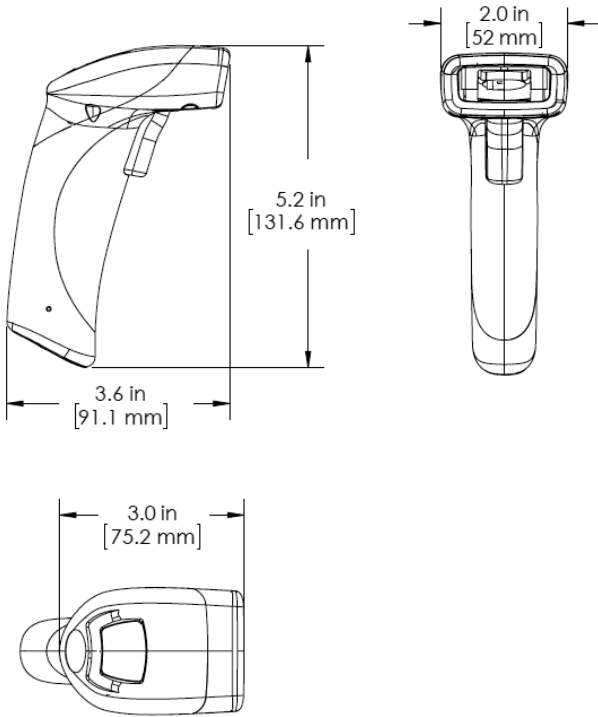
### 应用示例

- 生命科学
- 制造
- 医疗保健

### HS-21: 可读码



# HS-21 2D HANDHELD IMAGER SPECIFICATIONS AND OPTIONS



## READ RANGE TABLE

Narrow-Bar	Read Range
<b>STANDARD DENSITY</b>	
<b>1D</b>	
.0050" (.127 mm)	3.7 to 5.0" (94 to 127 mm)
.0075" (.191 mm)	2.2 to 6.5" (56 to 165 mm)
.010" (.254 mm)	1.5 to 8.0" (38 to 203 mm)
.020" (.508 mm)	2.3 to 15.5" (58 to 394 mm)
<b>2D</b>	
.0050" (.127 mm)	3.7 to 4.6" (94 to 117 mm)
.0075" (.191 mm)	1.5 to 6.0" (38 to 152 mm)
.010" (.254 mm)	1.6 to 7.7" (41 to 196 mm)
.020" (.508 mm)	1.6 to 9.4" (41 to 239 mm)

Note: Specifications are subject to change. Working ranges are a combination of both the wide and high density fields.

Note: Inches [millimeters]. Nominal dimensions shown. Typical tolerances apply.

## MECHANICAL

**Height:** 5.2" (131.6 mm)  
**Width:** 2.0" (52 mm)  
**Depth:** 3.6" (91.1 mm)  
**Weight:** 3.9 oz. (110 g)

## ENVIRONMENTAL

**Operating Temperature:** -20° to 55° C (-4° to 131° F)  
**Storage Temperature:** -30° to 65° C (-22° to 150° F)  
**Humidity:** 5% to 95% (non-condensing)  
**Shock:** Withstands multiple drops of 6' (1.8 meters)

## CE STANDARDS

**Immunity:** EN 55024  
**ESD:** EN 61000-4-2  
**Radiated RF:** EN61000-4-3  
**Keyed Carrier:** ENV50204  
**EFT:** EN61000-4-4  
**Conducted RF:** EN61000-4-6  
**Emissions:** EN55022, Class B Radiated, Class B Conducted  
**CB Test Certificate:** IEC 60950-1:2001, First Edition

## LIGHT COLLECTION OPTIONS

**Sensor:** CMOS 1.2 megapixel grayscale  
**Sensor Array:** 1280 by 960  
**Field Selection:** High density or wide  
**Field of View:** High density field: 30° horizontal by 20° vertical; wide field: 50° horizontal by 33.5° vertical  
**Focal Point:** Approximately 100 mm  
**Optical Resolution:** High density field: 960 x 640; wide field: 960 x 640

## SYBLOGIES

**2D Symbolologies:** Data Matrix, QR Code, Micro QR Code, Aztec Code  
**Stacked Symbolologies:** PDF417, MicroPDF417, Composite  
**Linear Symbolologies:** UPC, Code 39, Code 128, Interleaved 2 of 5, Codabar, GS1 DataBar, Code 93  
**Postal Symbolologies:** USPS OneCode (4CB), POSTNET, PLANET, Japanese Post, Australian Post, Royal Mail, KIX Code

## COMMUNICATION PROTOCOLS

**Standard Interface:** RS-232, USB 2.0 (generic HID, HID keyboard, virtual COM port)

## READ PARAMETERS

**Pitch:** ±60° (front to back)  
**Skew:** ±60° (from plane parallel to symbol (side-to-side))  
**Rotational Tolerance:** ±180°  
**Print Contrast Resolution:** 25% (1D symbolologies); 35% (2D symbolologies) absolute dark/light reflectance differential, measured at 650 nm  
**Ambient Light Immunity:** Sunlight: Up to 9,000 ft.-candles/96,890 lux  
**Target Beam:** Dual, blue targeting bar

## INDICATORS

**Status Indicators:** Beep, vibrate, LED flash

## IMAGE OUTPUT OPTIONS

**Format:** BMP or JPEG

## MEMORY CAPACITY

128MB Flash ROM, 32MB RAM

## DATA EDITING

JavaScript (Additional License Required)

## ELECTRICAL

**Power Requirements:** Reader @ 5VDC (mA):  
 Typical: Less than 450 mA; Idle: Less than 80 mA;  
 Sleep: Less than 31 mA

## SAFETY CERTIFICATIONS DESIGNED FOR

FCC, CE

## ROHS/WEEE COMPLIANT

## ISO CERTIFICATION

Certified ISO 9001:2008 Quality Management System

©2013 Microscan Systems, Inc. SP0788-C 01/13  
 Read Range and other performance data is determined using high quality Grade A symbols per ISO/IEC 15415 and ISO/IEC 15416 in a 25° C environment. For application-specific Read Range results, testing should be performed with symbols used in the actual application. Microscan Applications Engineering is available to assist with evaluations. Results may vary depending on symbol quality. **Warranty**—For current warranty information on this product, please visit [www.microscan.com/warranty](http://www.microscan.com/warranty)

# MICROSCAN®

**Microscan Systems, Inc.**  
 电话: +1 425 226 5700 / 800 251 7711  
 传真: +1 425 226 8250

**Microscan 亚太区总部**  
 电话: +65 6846 1214  
 传真: +65 6846 4641

**Microscan 上海**  
 电话: +86 21 61133752 / 传真: +86 21 61133683

**Microscan 广州**  
 电话: +86 20 28873807 / 传真: +86 20 28873848

**Microscan 北京**  
 电话: +86 10 59935887 / 传真: +86 10 59935999

**www.microscan.com**

**产品信息:** info@microscan.com  
**自动识别支持:** helpdesk@microscan.com