

HS-1



手持式线性 CCD 阅读器

HS-1 是一款实用的手持式条形码阅读器，能可靠地解码常见应用（如打印的黑白标签）中的线性条形码。HS-1 使您投入最少的成本就可以获得快速而精确的性能，它符合人体工程学设计，使用起来方便舒适，并且能够承受在恶劣工业环境中被多次跌落。

HS-1 是适用于普通条形码应用的理想且实用的条形码阅读器。

HS-1: 简介

- 每秒解码次数：最多 230 次
- 读取范围：1.0 至 14.0"（25 至 356 毫米）
- USB、RS-232 接口选件



ESP® 简易设置程序：单点软件为所有 Microscan 阅读器提供了迅速简便的设置和配置。

有关本产品的详细信息，请访问 www.microscan.com。

读取性能

HS-1 阅读器可以轻松读取任何一维条形码和多个堆栈标签，且非常适合读取高对比度标签。

轻便耐用

轻便耐用的阅读器外壳和电缆具有 6 英尺（1.8 米）抗震等级，在使用频率较高的工业应用环境中可承受被多次跌落。

设置简便

利用 ESP 软件可轻松设置 HS-1，包括读取周期和标签设置。

通信灵活

HS-1 阅读器可配备 2 种接口 选件：USB 或 RS-232。

应用实例

- 库存盘点
- 电子行业
- 生命科学

HS-1: 可读码

线性条码

所有标准



堆栈标签

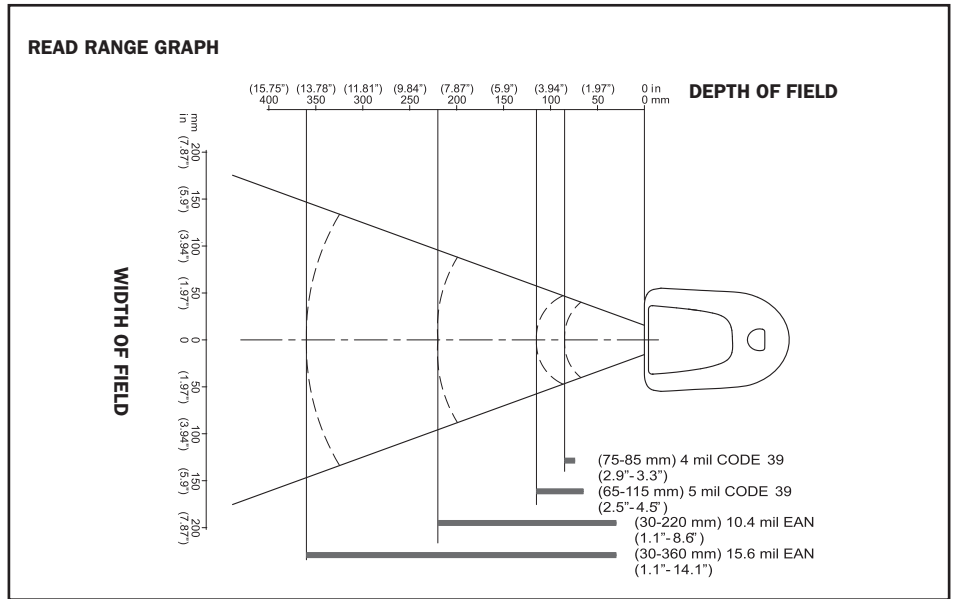
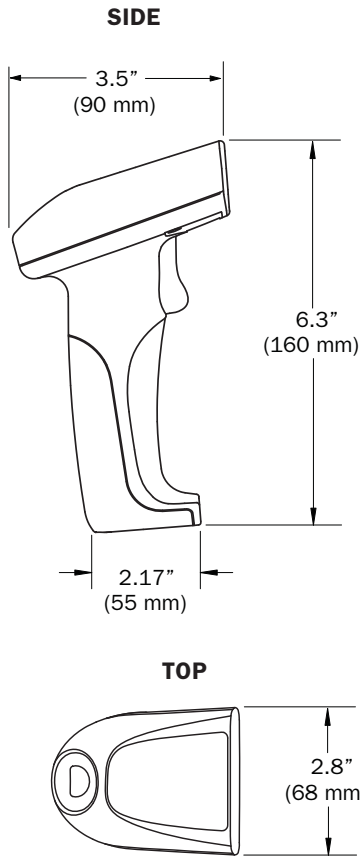
PDF417 码



GS1 Databar 码



HS-1 LINEAR CCD READER SPECIFICATIONS AND OPTIONS



| Narrow-bar-width | Read Range Distance |
|-------------------|------------------------------|
| .0030" (0.076 mm) | 2.28 to 2.87" (58 to 73 mm) |
| .0040" (0.102 mm) | 2.17 to 3.35" (55 to 85 mm) |
| .0050" (0.127 mm) | 1.77 to 4.33" (45 to 110 mm) |
| .0156" (0.396 mm) | 1.18 to 8.66" (30 to 220 mm) |

Ranges based on Grade A symbols. Data subject to change.

MECHANICAL

Height: 6.3" (160 mm)
Width: 2.8" (68 mm)
Depth: 3.5" (88 mm)
Weight: 7.8 oz. (220 g), including cable

ENVIRONMENTAL

Operating Temperature: 0° to 50° C (32° to 122° F)
Storage Temperature: -20° to 60° C (-4° to 140° F)
Humidity: 20% to 85% (non-condensing)
Shock: Withstands drops of 6' (1.8 meters) to concrete

SYMBOLOGIES

Stacked Symbolologies: GS1 Databar, PDF417
Linear Barcodes: Code 39, Code 128, Code 11, Code 32, I2 of 5, UPC/EAN, Codabar, Code 93, China Postal Code

LIGHT COLLECTION OPTIONS

Sensor: 2048 pixel CCD image sensor
Optics: 660 nm visible LED

COMMUNICATION PROTOCOLS

Standard Interface: USB, RS-232

READ PARAMETERS

Decode Rate: 230 decodes/second
Depth of Field: 2.8" to 3.5" (70 to 90 mm)
Ambient Light Immunity: Sunlight: Up to 278.7 ft-candles/3,000 lux

INDICATORS

Status Indicators: Audible tones, visual feedback with multi-color LED

ELECTRICAL

Power Requirements: 5 VDC (mA)
Typical: 240mA **Peak:** 750mA **Idle:** 95mA

SAFETY CERTIFICATIONS DESIGNED FOR

FCC, CE

ROHS/WEEE COMPLIANT

ISO CERTIFICATION

Certified ISO 9001:2000 Quality Management System

©2009 Microscan Systems, Inc. SP060B-C 09/09
 Read Range and other performance data is determined using high quality Grade A symbols per ISO/IEC 15415 and ISO/IEC 15416 in a 25° C environment. For application-specific Read Range results, testing should be performed with symbols used in the actual application. Microscan Applications Engineering is available to assist with evaluations. Results may vary depending on symbol quality. **Warranty**—Three year limited warranty on parts and labor. Extended warranty available.

MICROSCAN®

Microscan Systems, Inc. 公司
 电话: +1 425 226 5700 / 800 251 7711
 传真: +1 425 226 8250
Microscan 亚太有限公司
 电话: +65 6846 1214
 传真: +65 6846 4641

www.microscan.com
产品信息:
 info@microscan.com
自动识别支持:
 helpdesk@microscan.com
视觉支持:
 visionsupport@microscan.com
NERLITE 支持:
 nerlitesupport@microscan.com